



BUC

KU-BAND 1801XRT

80W NON-INVERTED

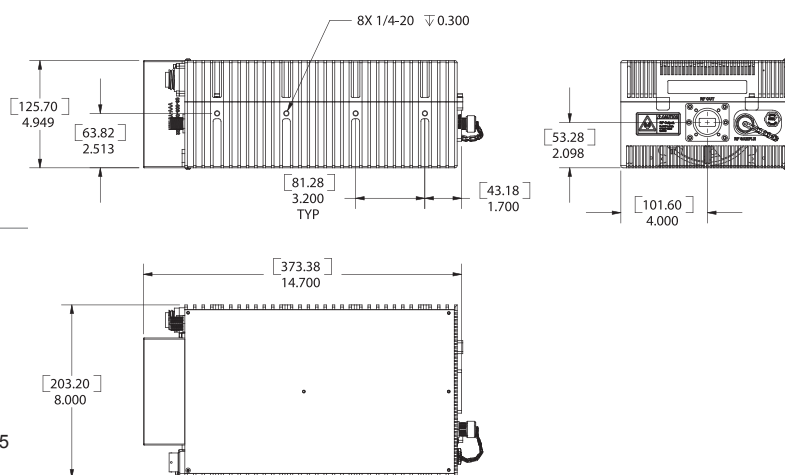


TYPICAL SPECIFICATIONS

Output frequency	14.0 GHz to 14.5 GHz 13.75 GHz to 14.5 GHz (extended)
Input frequency	950 to 1450 GHz 950 to 1700 MHz (extended)
LO frequency	13.05 GHz 12.80 GHz (extended)
P1dB Output Power	> 49 dBm
Input VSWR	2 : 1
Output VSWR	1.25 : 1
Phase noise	Meets IESS-308
Small Signal Gain	70 dBm
Output Spurious	-55 dBc
M&C Connector	19 Pin Military Circular
Monitor and Control	Serial RS-485 (SA-bus), Forward Power Monitor, Step Attenuator, Ethernet Option
Dimensions	15.0" (L) x 8.0" (W) x 5.0" (H) 381 (L) x 203 (W) x 127 (H) mm
Weight	24.3 lbs 11.0 kg

Frequency Reference (10MHz on IF)	0 dBm ±5dB
Intermodulation with two equal carriers at 3dB total power backoff from rated power	-25 dBc
Spectral Regrowth (typical) at 2db below rated output power at 1.0x symbol rate offset for QPSK or QPSK	-30 dBc
Noise Power, maximum Receive band	-150 dBW / 4 kHz
LED Indicators	Summary Fault (Red) Loss of Lock (Yellow)
Temperature Range	-40°C to 60°C
AC Power	90 - 264 VAC, 50 - 60 Hz 565W @ 49 dBm

MECHANICAL DIAGRAM



HOW TO ORDER

1801XRTNE

H	14.0 - 14.5
E	13.75 - 14.5
CONNECTOR	N
P1dB	80 W
TRANSMITTER SERIES #	

