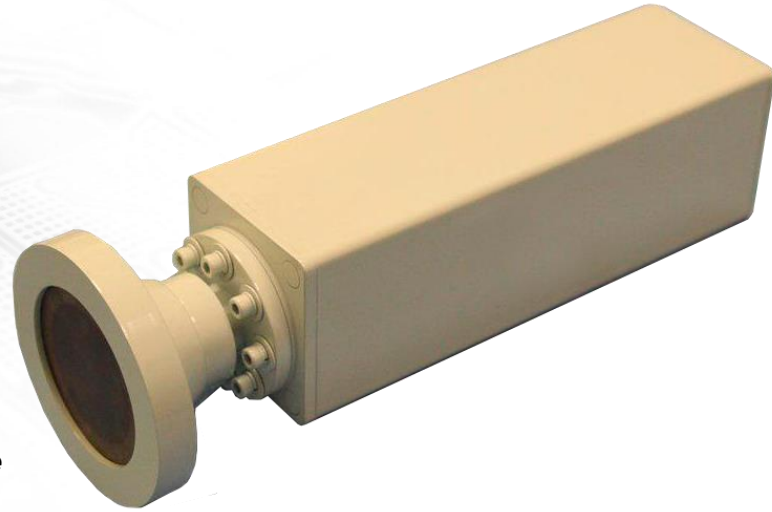




GeosSat
Microwave

- Dual bands are switchable
- Low power consumption
- Higher reliability from integrated design principle
- Compact size and light weight
- Meet ETSI, FCC standards



Circular polarized Ka-BAND 4-Port Diplexer

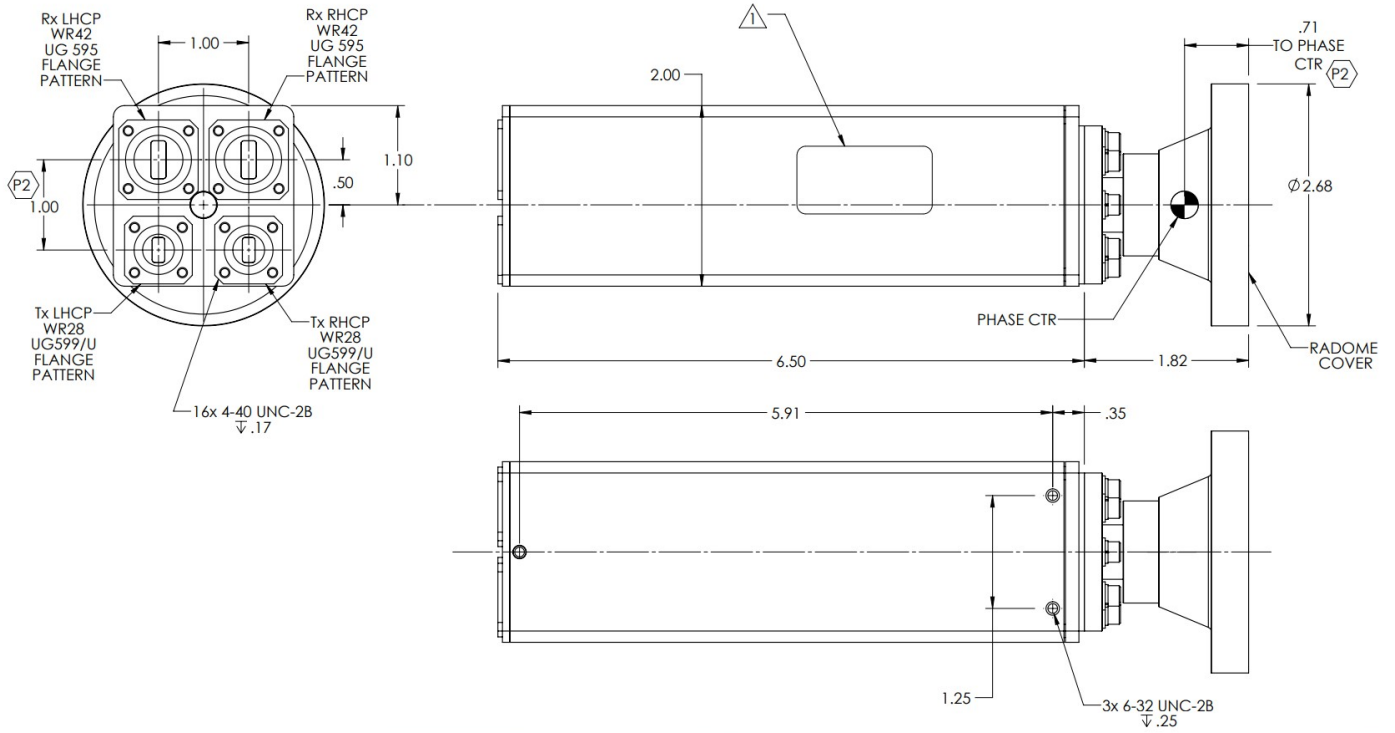
Model: GFK44PC

Section	Item	Specification
Specifications	Frequency Band	Rx: 17.70 – 22.00 GHz Tx: 27.00 – 31.00 GHz
	Insertion loss	Rx: 0.40 dB Max Tx: 0.35 dB Max
	VSWR	Rx: 1.30:1 Max Tx: 1.30:1 Max
	Isolation	
	Port to port	Tx/Rx: 85 dB Min Rx/Tx: 85 dB Min Rx/Rx: 17 dB Min Tx/Tx: 17 dB Min
	Axial Ratio	Rx: 0.50 dB Max Tx: 0.50 dB Max
	Power Handling	500 W CW per Tx port (1 kW total)
	f/D	0.8
	Weight	5.70 lbs approximate
	Pressure	Sealed to 0.5 psig
	Leak Rate	Not to exceed 23.6 ml/min (0.05 SCFH)
	Finish	FLG Faces: Chromate conversion coated Exterior: Paint – White color

Mechanical Diagram (Unit: inch (mm))

NOTES: UNLESS OTHERWISE SPECIFIED

 IDENTIFICATION PER QMSP 7550 APPROXIMATELY WHERE SHOWN



www.geosatmicrowave.com

sales@geosatmicrowave.com